

## Building Intelligence & Centralized Control Management Platform

Coeus was the Titan god of intelligence and foresight, who gained great knowledge to see past the obvious. He was the Titan of the North pillar connecting the earth to heavenly knowledge and the North Star. STEINEL America's COEUS is your guiding light, providing data and analytics to see beyond the obvious and bring intelligence to buildings.



COEUS™ (pronounced See Us) is the STEINEL America proprietary building intelligence and centralized control management platform. COEUS provides reporting, analytics, lighting management and works in conjunction with the DCS Connect. The DCS Connect is our digital control solution controller with BACnet, that allows communication and to operates within the building IoT. COEUS communicates with the DCS Connect via BACnet, integrating into the building for full control in one centralized platform via open protocol on the network VPN allowing for secure remote access. The COEUS solution runs on an on-site pc. There is also a new tablet package, opening up touch screen lighting control as an option to work with our digital controls for easy and sleek lighting scenes.

### Applications:

STEINEL America's COEUS works in a variety of spaces and with buildings where a digital software solution for a centralized management platform is needed. COEUS controls lighting functions and provides data and analytics such as reporting, alerts, commissioning, scheduling and more for the entire building lighting, all which additionally inform smart energy choices.

Project Name:  
Location:



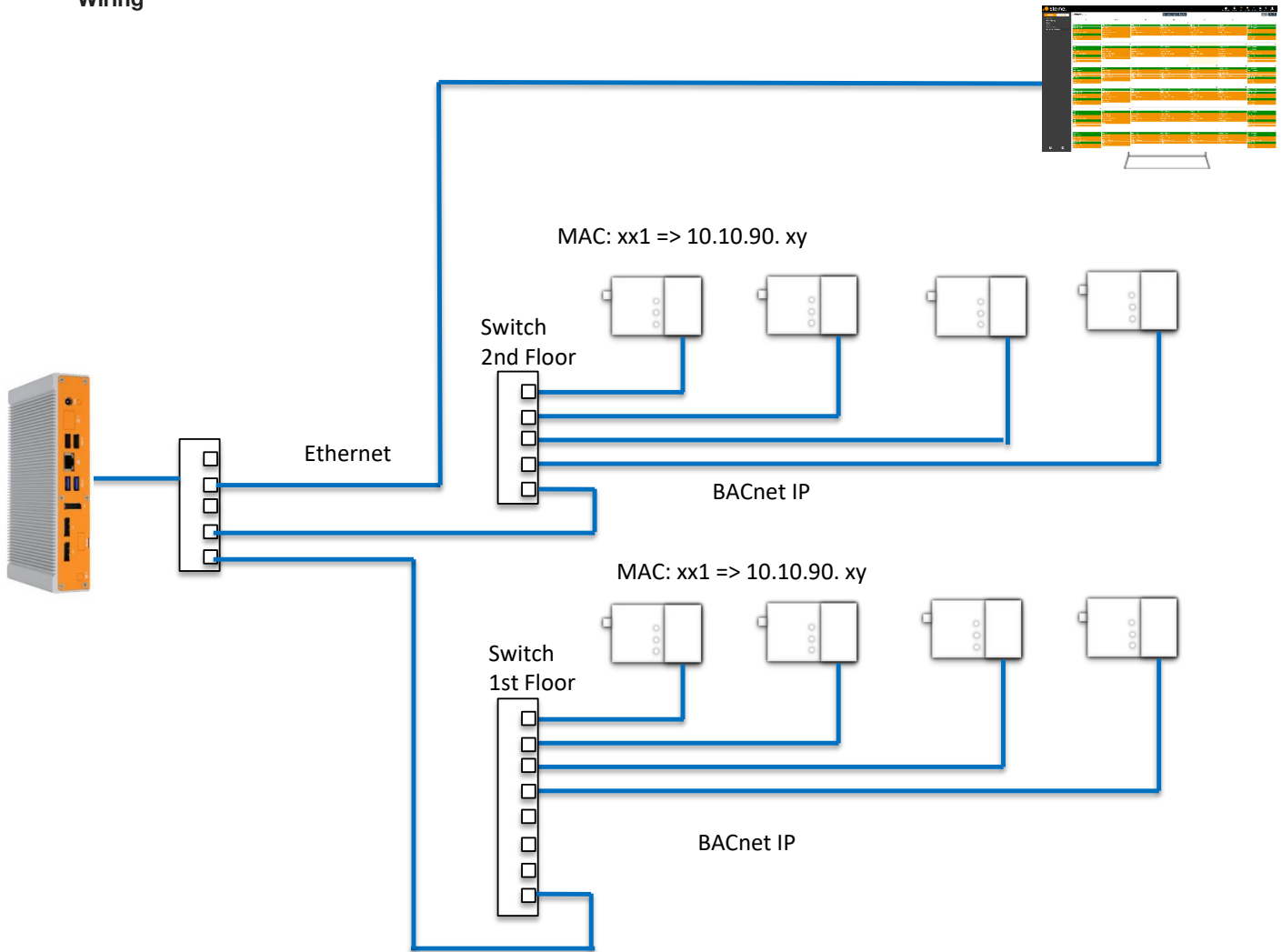
### COEUS Specifications

Item No.	98031 COEUS PC 98140 COEUS Licensing Fee
Processor	Intel Pentium J6426
Processor Speed	1.20 - 3.0 GHz
Voltage	9 - 24 VDC
Mounting	DIN, VESA or Wall
Dimensions (WxHxD)	196 x 36.75 x 120.8 mm 7.72" x 1.45" x 4.76"
Operating Temperature	32° - 122°F 0°-50°C
Operating Humidity	0 - 90%
Warranty	2 year limited warranty on parts and service
Certifications	ETL, FCC 47 CFR Part 15, RoHS, REACH, CE, WEEE Directive, Low Voltage Directive, Electromagnetic Compatibility Directive, Radio Equipment Directive, EN 55024, 55032, 55035, 60950-1, 62368-1, 61000-3-2, 3-3, 4-2, 4-3, 4-4, 4-5, 4-6, 4-8, 4-11

### Key Features:

- 4 Panel Dashboard
- Top Navigation Bar with area selection button, contact support info button, demand response, emergency all on and special events scene
- Information Panels including view, manage and create schedules, Energy, Occupancy, and Alerts
- Sequence of Operations includes ON/OFF, dimming control and up to 20 scenes, DCS keypads, advanced scheduling, tags, occupancy sensor configuration, daylight harvesting, partition sensors, startup and commissioning capabilities
- HVAC and shade control integration capabilities
- Designated floor plans input
- Indoor and Outdoor control capabilities

## Wiring



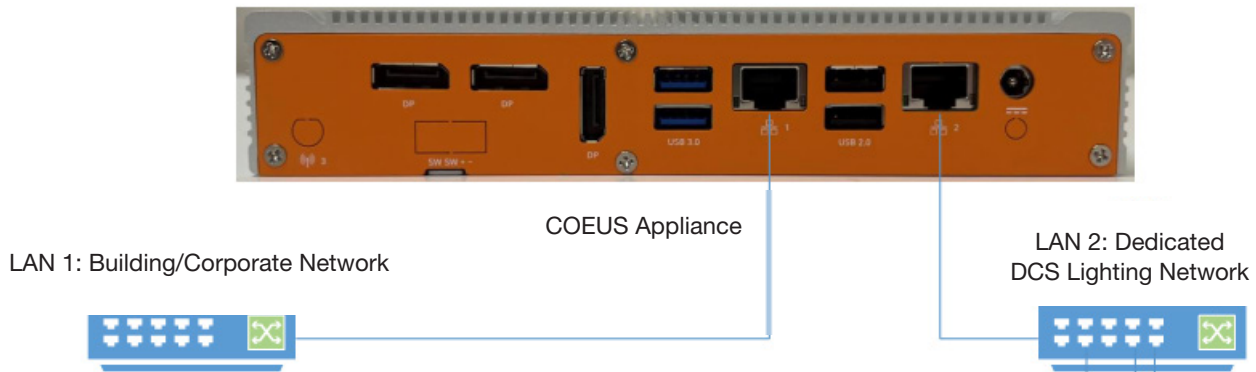
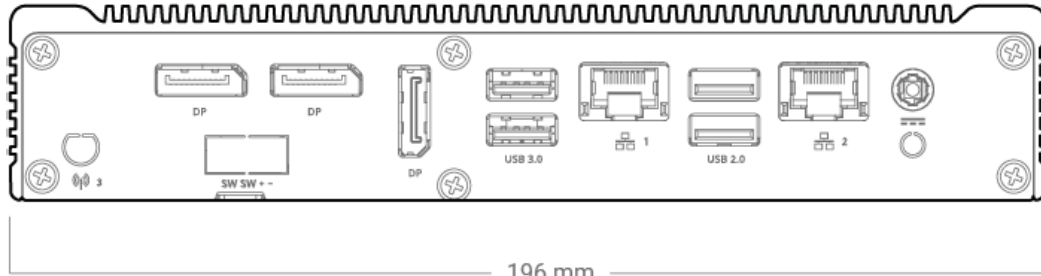
### Reporting: One Way Device Communication

- Phase Voltage Relay
- Phase Current Relay 1-3
- Phase Active Power Relay 1-3
- Photosensor Device
- Demand Response
- External Time Signal
- Occupancy Status
- Astro Clock Status
- Relay Status

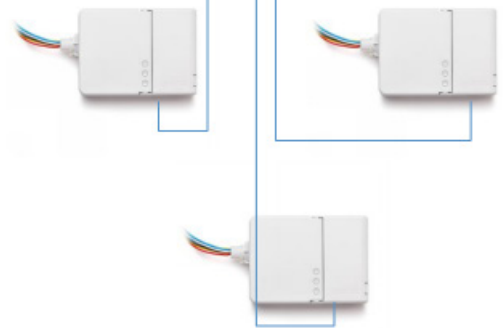
### Updates: Two Way Device Communication

- PWM Level Relay 1-3
- Demand Response Dim Level
- Phase 2 & 3 Voltage Set
- Occupancy Delay Time
- Occupancy Dim Level
- Occupancy Dim Rate
- Photosensor Desk FC
- Photosensor Dim Rate
- Demand Response Enable/Disable
- External Time Signal Enable/Disable
- Occupancy Operating Mode
- Photosensor Mode Device
- Sequence of Operation (SOP) x Time Slice (TS) x Start / End Time Relay 1-3
- Relay Status


### Wiring



- COEUS Appliance can be static or DHCP on Building/Corporate Network
- COEUS Appliance provides DHCP to DCS Connects (Subnet and DHCP range configurable)
- Communication from DCS Lighting Network to Building LAN is PATd using LAN 1 IP Address of COEUS Appliance
- Communication between DCS Lighting Network and Building/Corporate LAN can be blocked to provide isolation
- DCS Connects may also be connected to LAN 1 Network (atypical)



### COEUS Dashboard: Energy Consumption, Rooms Occupied by Tag, Scheduler & Alerts

AREA VIEW SCHEDULE DASHBOARD SETUP SUPPORT LOGOUT

10/24/2023 05:26 am | 10/24/2023 01:26 pm

#### Energy Consumption (kWh) by Tag

Time	118 Retail Sales Floor (kWh)	121 Customer Waiting (kWh)	Back of House (kWh)
5:25 AM	0.0	0.0	0.1
6:40 AM	0.8	0.6	0.1
7:40 AM	0.8	0.4	0.3
8:40 AM	0.8	0.4	0.3
9:40 AM	0.6	0.4	0.4
10:40 AM	0.6	0.4	0.4
11:25 AM	0.6	0.4	0.4

#### Rooms Occupied by Tag

Time	118 Retail Sales Floor	121 Customer Waiting	Back of House
5:25 AM	0.0	0.0	1.0
6:40 AM	0.0	0.0	1.0
7:40 AM	0.0	0.0	1.5
8:40 AM	0.0	0.0	2.0
9:40 AM	0.0	0.0	3.0
10:40 AM	0.0	0.0	3.5
11:25 AM	0.0	0.0	3.0

#### October 24, 2023

today < >

Tuesday

6am	
7am	6:30 Retail On
8am	
9am	

<https://coeus.local/#/dashboard>

#### Alerts

- DCS1\_113 110 117\_ [Normal]
- DCS3\_121 All East West Linear\_ [Normal]
- DCS7\_118 Bubble Track \_2 Inch Cans [Normal]
- DCS5\_106 Confer 107 Off\_104 Break [Normal]
- DCS4\_121 strip sconce signage\_ [Normal]

### Floor Plan: Optional Add On

AREA VIEW SCHEDULE DASHBOARD SETUP SUPPORT LOGOUT

High Seas

search

1921 Harbor

AREA LIST | FLOOR PLAN

ROOMS: AQUARIUM / EQUIPMENT ROOM 102, OFFICE 107, COMPLIANCE OFFICE 106, NON-CANNABIS STORAGE, RECEIVING, SECURED DELIVERY ROOM, CUSTOMER WAITING 121, RETAIL SALES FLOOR 118, SECURED INVENTORY STORAGE ROOM 117, ELEC.

URL: <https://coeus.local/#/>

## Lighting Scenes Settings

**118 Retail Sales Floor**

**Lights**

Light Fixture	Current Setting	Target Setting
118 2 Inch Cans	80 %	100
118 6 Inch Cans	80 %	100
118 Bubble Lights	100 %	100
118 Bubble Register	60 %	100
118 Linear Strip Shelves	100 %	100
118 Pendants	68 %	100

**Scene Selection:** Scene 1 (Selected), Scene 2, Scene 3, Scene 4, Scene 5, Off

## Scheduler

**October 2023**

Day Week Month Time Grid

Sun	Mon	Tue	Wed	Thu	Fri	Sat
1 12a Retail Off 6:30a Retail On	2 12a Retail Off 6:30a Retail On	3 12a Retail Off 6:30a Retail On	4 12a Retail Off 6:30a Retail On	5 12a Retail Off 6:30a Retail On	6 12a Retail Off 6:30a Retail On	7 12a Retail Off 6:30a Retail On
8 12a Retail Off 6:30a Retail On	9 12a Retail Off 6:30a Retail On	10 12a Retail Off 6:30a Retail On	11 12a Retail Off 6:30a Retail On	12 12a Retail Off 6:30a Retail On	13 12a Retail Off 6:30a Retail On	14 12a Retail Off 6:30a Retail On
15 12a Retail Off 6:30a Retail On	16 12a Retail Off 6:30a Retail On	17 12a Retail Off 6:30a Retail On	18 12a Retail Off 6:30a Retail On	19 12a Retail Off 6:30a Retail On	20 12a Retail Off 6:30a Retail On	21 12a Retail Off 6:30a Retail On
22 12a Retail Off 6:30a Retail On	23 12a Retail Off 6:30a Retail On	24 12a Retail Off 6:30a Retail On	25 12a Retail Off 6:30a Retail On	26 12a Retail Off 6:30a Retail On	27 12a Retail Off 6:30a Retail On	28 12a Retail Off 6:30a Retail On
29 12a Retail Off 6:30a Retail On	30 12a Retail Off 6:30a Retail On	31 12a Retail Off 6:30a Retail On	1 12a Retail Off 6:30a Retail On	2 12a Retail Off 6:30a Retail On	3 12a Retail Off 6:30a Retail On	4 12a Retail Off 6:30a Retail On
5 12a Retail Off 6:30a Retail On	6 12a Retail Off 6:30a Retail On	7 12a Retail Off 6:30a Retail On	8 12a Retail Off 6:30a Retail On	9 12a Retail Off 6:30a Retail On	10 12a Retail Off 6:30a Retail On	11 12a Retail Off 6:30a Retail On

today < >

<https://coeus.local/#/scheduler>

## Area List

AREA VIEW
SCHEDULE
DASHBOARD
SETUP
SUPPORT
LOGOUT

search

1921 Harbor

AREA LIST
FLOOR PLAN

Area	Location	Current Scene	Occupancy	Linked	Tags	Controls
104 Break Rm		Not Set			<span style="color: green;">●</span>	
106 Conference Room		Not Set			<span style="color: green;">●</span>	
107 Office		Not Set			<span style="color: green;">●</span>	
109 Storage		Not Set			<span style="color: green;">●</span>	
110 Receiving		Not Set			<span style="color: green;">●</span>	
113 Secured Delivery		Not Set			<span style="color: green;">●</span>	
116 Hall		Not Set			<span style="color: green;">●</span>	
117 Secured Inventory		Not Set			<span style="color: green;">●</span>	
118 Retail Sales Floor		Scene 1			<span style="color: blue;">●</span>	
121 Customer Waiting		Scene 1			<span style="color: red;">●</span>	

## Tag Management

AREA VIEW
SCHEDULE
DASHBOARD
SETUP
SUPPORT
LOGOUT

- Devices
- File Management
- Global Actions
- Integrations
- Maps
- Utilities
- System Settings
- Tags
- User Management

### Tag Management

ADD TAG

Name	Color	Areas	Edit	Delete
118 Retail Sales Floor	<span style="color: blue;">●</span>	1		
121 Customer Waiting	<span style="color: red;">●</span>	1		
Back of House	<span style="color: green;">●</span>	8		

### Event Actions

Event Actions:

- Scene to Recall: Scene 1
- Override Fade Time: \*
- Require Prior Scene
- Occupancy Mode: No Change
- Keypad State: No Change
- Time Mode: No Change

### Location and System Clock

Location and System Clock

Enable NTP

NTP Synchronized: Yes

Sunrise: 7:04 AM

Sunset: 6:09 PM

Latitude: 33.644

Longitude: -117.919

Timezone: America/Los\_Angeles

SET LAT/LON